

ingyu

Create The Value



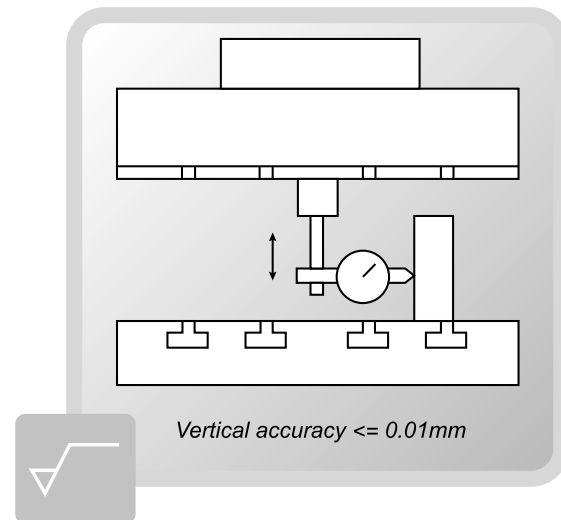
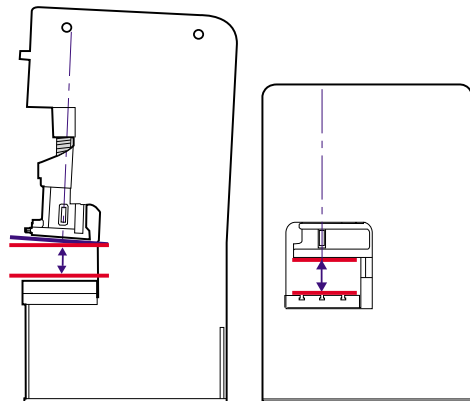
saga | saga II

Precision Forming Press



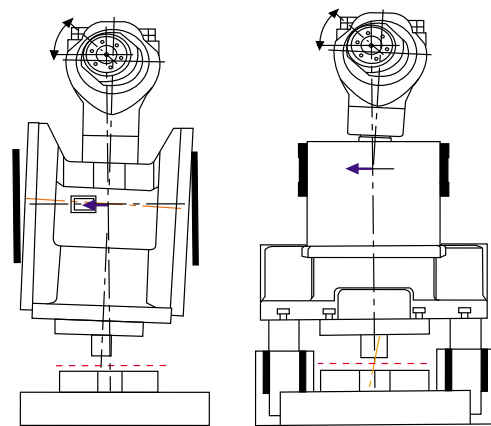
One-Piece Frame

Deflection during stamping is reduced to keep parallelism and vertical accuracy. Lower press frame helps to meet factory height limit. Slide area is larger compared to C frame press.



Plunger & Dual Guide Posts

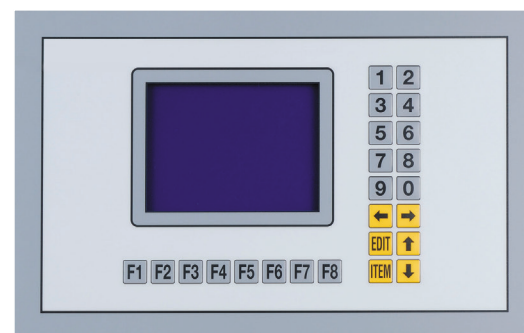
Plunger system isolates the slide movement from connecting rod left-to-right movement. Guide post system absorbs the eccentric load during stamping. Press vertical accuracy is $\leq 0.01\text{mm}$, resulting in the die life extension and improved stamping parts quality.



User-friendly Control System

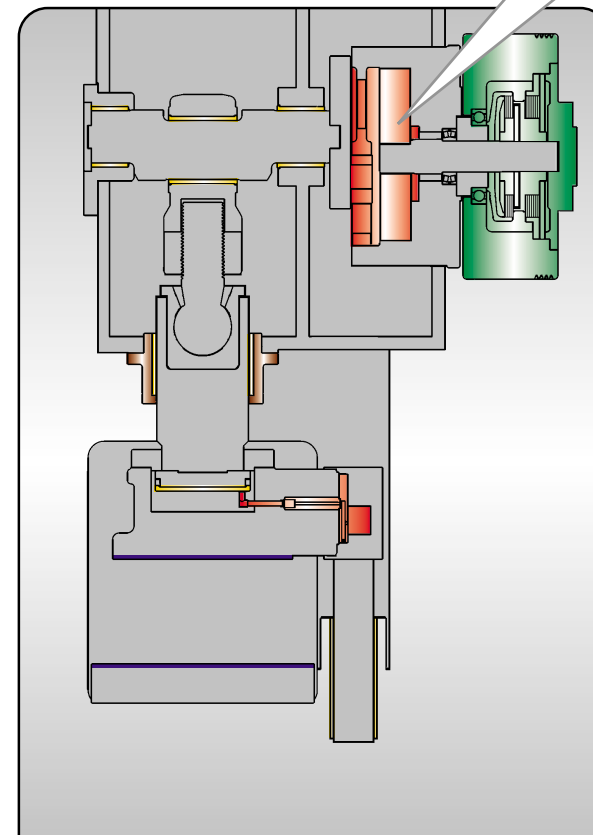
All information display on the control screen that make setting and checking easily. Tooling data saves on the system to prevent damages from wrong setting.

- Auto die height adjustment
- 7 digit counter setting x 2
- Die height indicator (0.01mm)
- Crank angle indicator (clock/number)
- SPM indicator (numeral)



New Drive Technology

Special drive gear design enables lower power consumption and provides higher torque for press applications. Power saving up to 30% compared to C frame press.



Standard Accessories

- Yaskawa Inverter
- Slide adjust motor
- Valve for material eject x 1
- Joint for air gun x 1
- Mis-feed joint x 3
- Batch / Cam joint x 5

Optional Accessories

- Anti-vibration base
- Light curtain
- Safety door
- Multi-slide motion
- Load monitor
- Quick die change system

Overload Protection Device

Oil level is designed in slide. While overloading, oil goes quickly to the pump on rear of slide. Acting time is quicker to prevent damages on press and tooling.



Oil-immersed Multi-disc Clutch

Wet type clutch system with Ortlinghaus plates helps to reduce noise and extend service life.

Circulating Lubrication System

All metal parts are lubricated to reduce friction and less maintenance required.

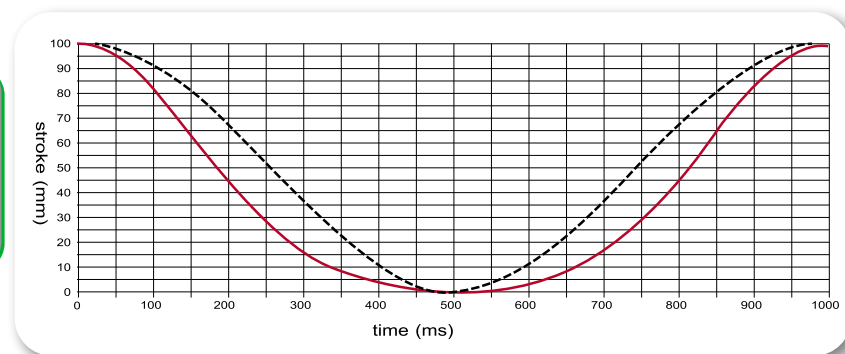




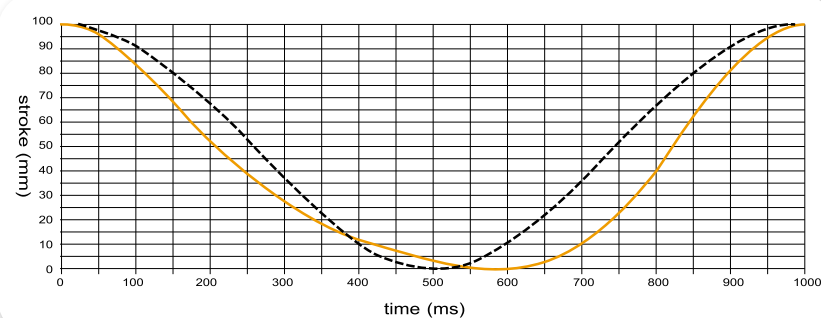
Multi-Slide Motion

Slide velocity decreases towards BDC to reduce the impact of stamping, noise and vibration.
3 different slide motion modes available for various product applications.

Forming motion



Pressing time is longer compared to crank press for best material flattening results.

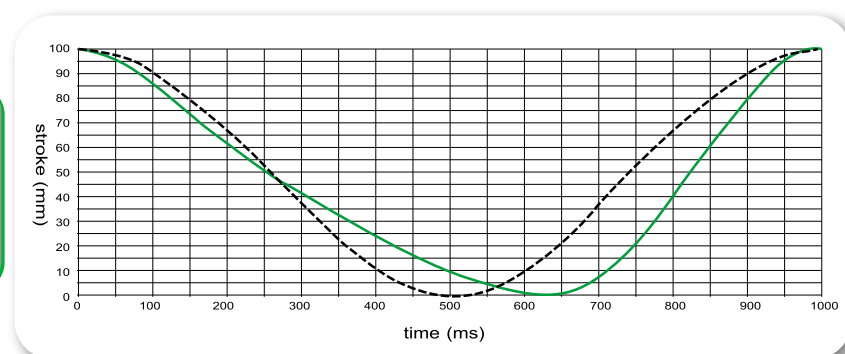


Bending motion

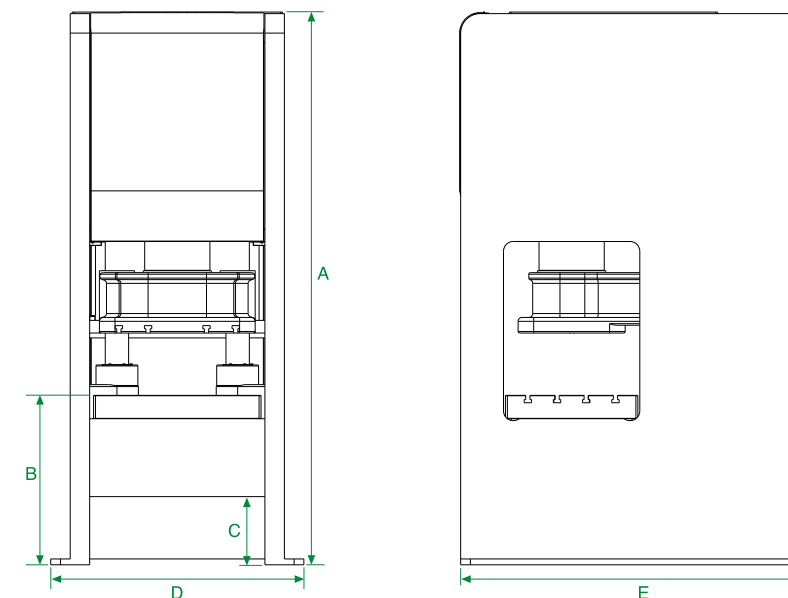


Slide velocity decreases while bending the material and speeds up again to gain quick cycles.

Drawing motion



Consistent speed pressing to avoid uneven surface.



Machine Specification		SAGA-45			SAGA-60			SAGA-80			SAGA-120			SAGA-160			SAGA-220			SAGA-300		
Type		H	S	L	H	S	L	H	S	L	H	S	L	H	S	L	H	S	L	H	S	L
Capacity	tons	45			60			80			120			160			220			300		
Limit of Capacity	mm	3	3.5	3.5	3	4	4	3.5	5	5	3.5	5	5	4	6	6	4	6	6	5	6	6
Slide Stroke	mm	50	100	140	60	120	160	70	140	180	80	160	200	100	180	220	120	200	250	140	220	280
Press Speed	spm	100	50	40	80	45	40	60	40	35	60	40	30	60	30	30	40	25	25	30	25	20
		200	100	80	160	80	70	140	75	60	120	70	50	100	60	45	80	50	40	60	50	40
Shutheight	mm	250			280			300			320			350			400			450		
Area of Bolster	mm	640x450			720x520			800x600			860x680			920x760			1000x840			1100x920		
Thickness of Bolster	mm	80			90			100			120			140			160			180		
Area of Slide	mm	600x400			670x450			750x500			800x550			860x600			960x700			1060x800		
Slide Adjustment	mm	60			70			80			90			100			120			140		
Main Motor	hp	5			7.5			7.5			10			15			20			30		
Dimension of Press																						
Height of Press (A)	mm	2250			2320			2610			2830			3080			3400			3890		
Height for Operation (B)	mm	800			835			850			870			885			950			1100		
Height for Scrap out (C)	mm	370			395			375			350			345			320			320		
Width of Press (D)	mm	920			1080			1200			1300			1400			1550			1700		
Depth of Press (E)	mm	1300			1450			1550			1800			2000			2200			2400		
Weight of Press	tons	4			5.2			7.5			11			15			20			28		

We reserve the right to modify all data contained in this catalogue without notice.