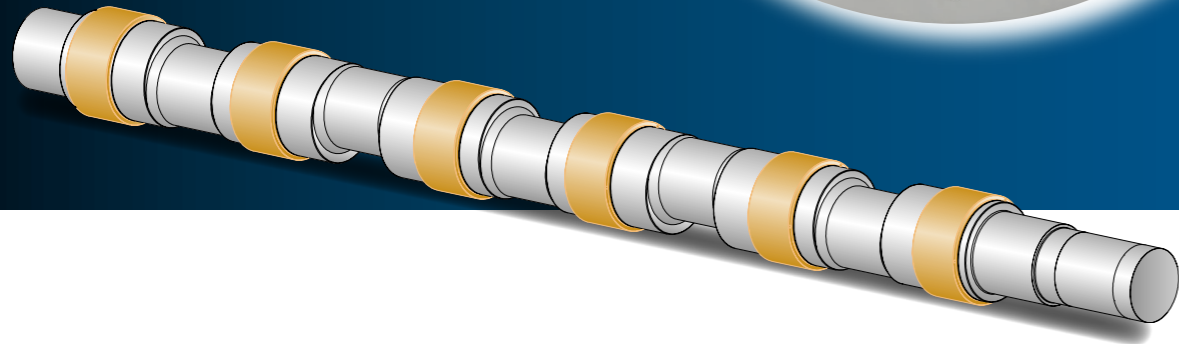
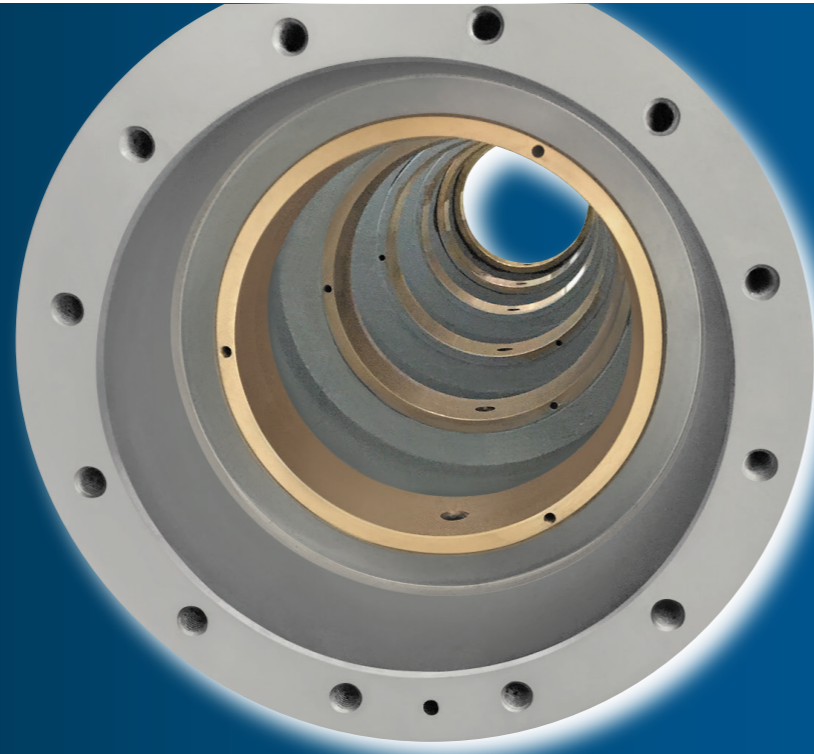


HU Series

High Speed Stamping Press

Key Features



1 Low Deflection

Preloaded high rigidity casting frame helps reduce stamping vibration. Bed frame deflection is within 0.05 mm/m.

2 Small Overall Clearance

Bearings at both ends support the crankshaft, achieving small overall clearance and accurate bottom dead center.

3 Wide Die Space

Wider bolster can accommodate longer dies. Multi-point plungers design resists eccentric loading.

4 Slide Quick Lifting

The slide rises and returns to the original shut height, saving users valuable production time.

5 Intelligent Production

The Siemens control system is used to integrate the press & accessories and support remote system diagnostics.

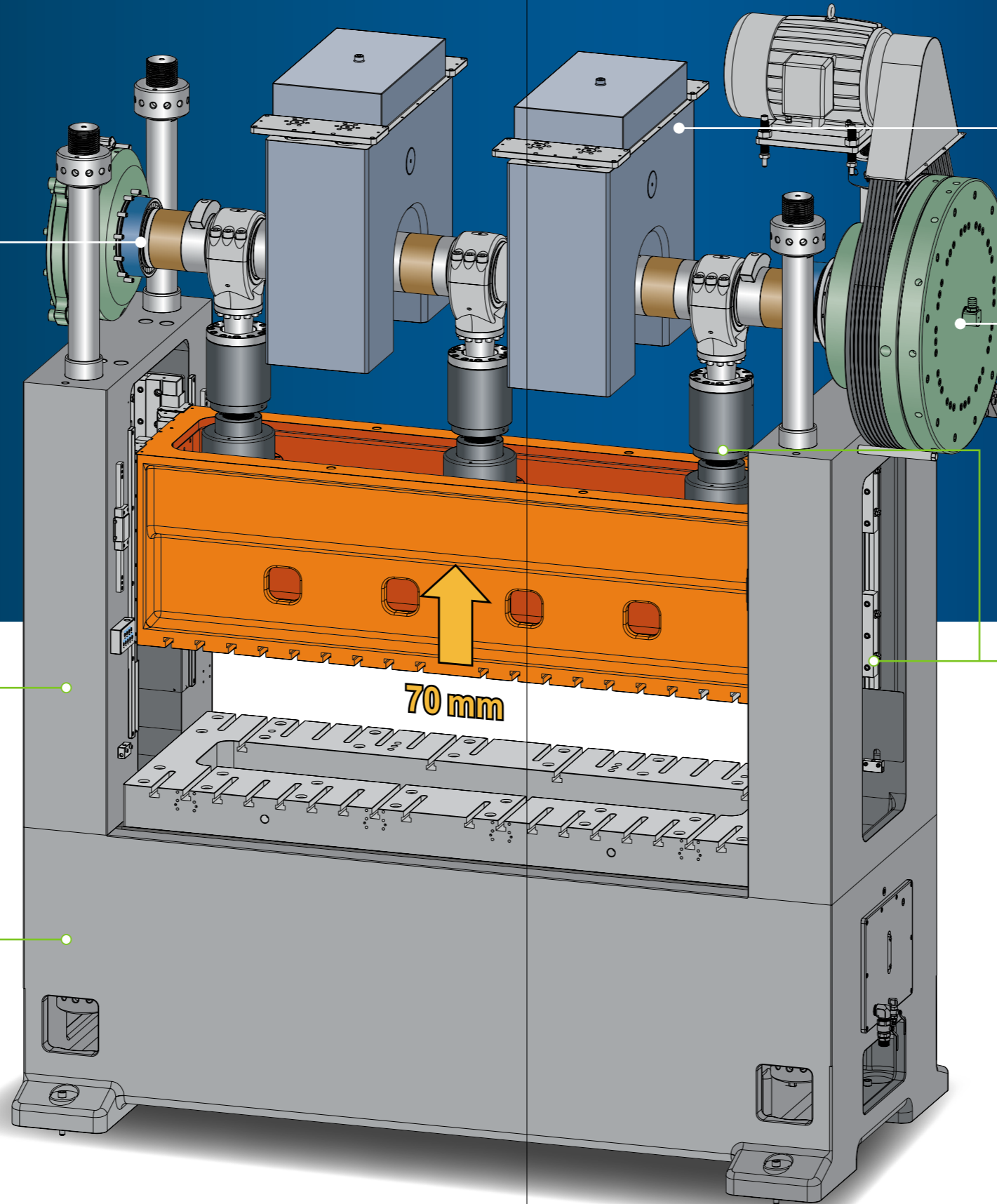


Bearings and Hydro-dynamic Bushings support the crank

Bearings and multiple hydro-dynamic bushings are applied to get smaller overall clearance and precise bottom dead center. Hydro-dynamic bushings not only can bear loading, but also help the crankshaft rotate smoothly, save energy and reduce carbon consumption.

Crank Temperature Monitoring

Crank bushings are equipped with temperature sensors to ensure the effective lubrication of the crankshaft to reduce issues caused by insufficient lubrication.



Dynamic Balancing

Counter balancer reserves weight of upper die to eliminate the slide inertia forces produced by reciprocation and reduces vibration.

Separate Clutch & Brake

The separation clutch and braking system have short braking time. Load balancing at both ends of the crankshaft reduces bearing wear and extend service life.

High Rigid Casting Frame

3 sets of high-rigidity casting frames reduce deflection and vibration. The deflection of bed frame is within 0.05 mm/m, which is beneficial to the bottom dead center accuracy.

Load Monitoring System

When the loading exceeds the total tonnage or eccentric load, the system will stop machine running to reduce the damage to the press and the die.

Plungers and Slide Gibing

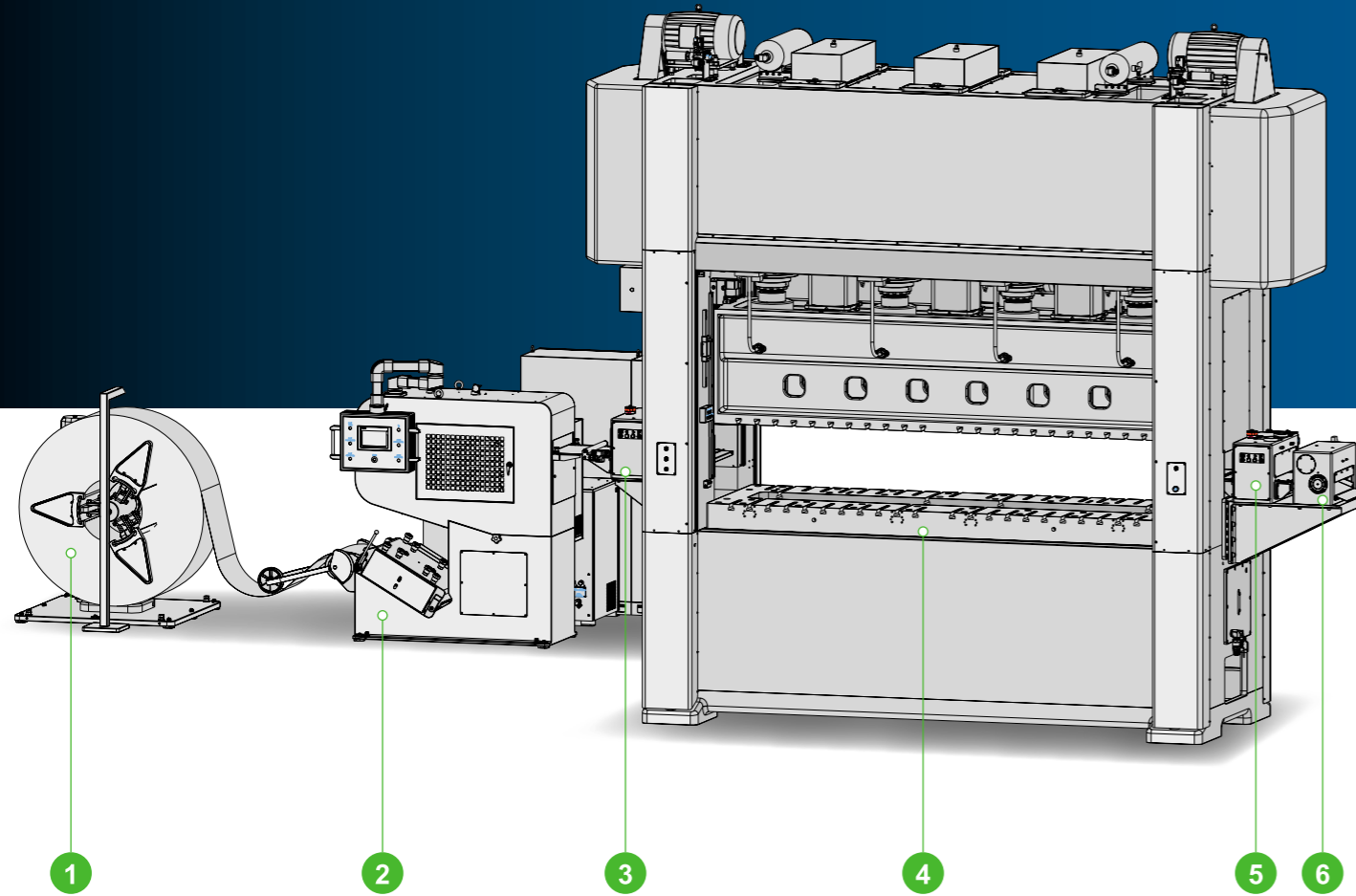
Plungers absorb the lateral forces of crank shaft motion. Eight-sided gibling system with linear bearings can keep verticality. Multiple plungers help keep slide deflection within 0.05 mm/m.

Slide Quick Lifting System

The slide moves upward 70 mm in 60 seconds, helping to release materials and solve die problems. After troubleshooting, the slide returns to the original shut height and the bottom dead center remains unchanged.

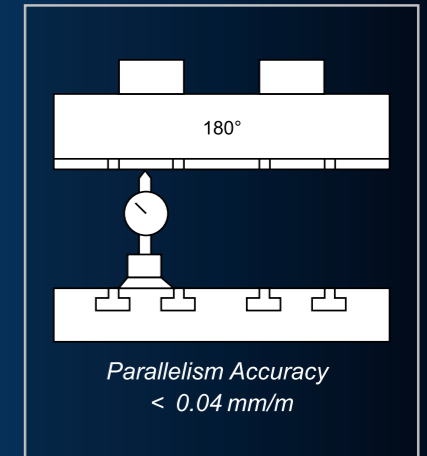
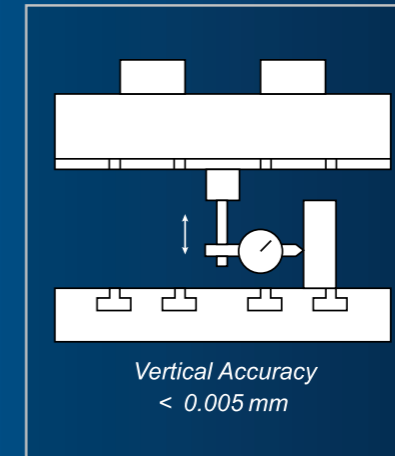
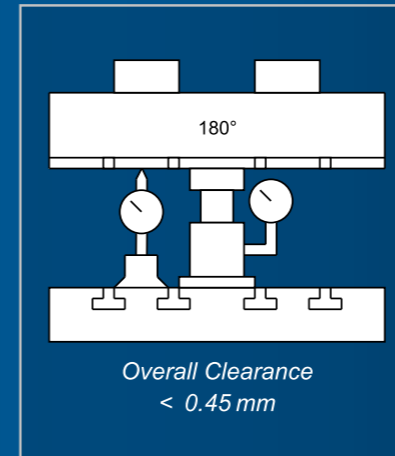
Precision Lamination Stamping

As the global trend toward net-zero carbon emissions takes off, demand for electric and hybrid vehicle motors continues to increase. INGYU multi-point high-speed press, with its unique small overall clearance and bed frame deflection within 0.05 mm/m, ensures that you can produce high-efficiency motor cores with thin materials and longer dies.



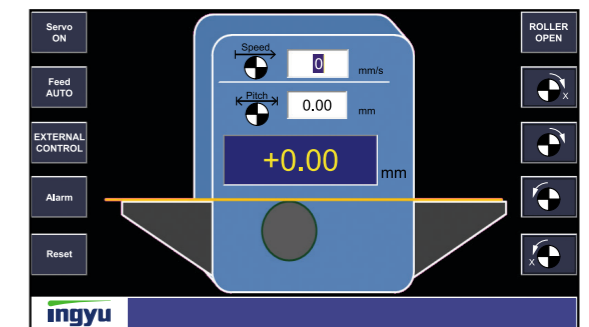
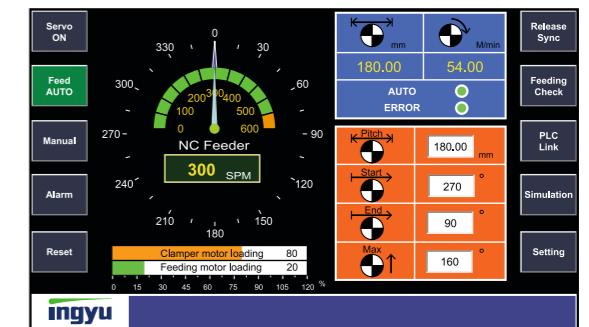
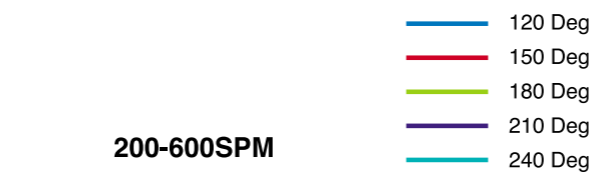
- 1. Dual head uncoiler
- 2. S type straightener
- 3. Servo push feeder
- 4. High speed press
- 5. Servo pull feeder
- 6. Servo scrap cutter

Excellent Performance



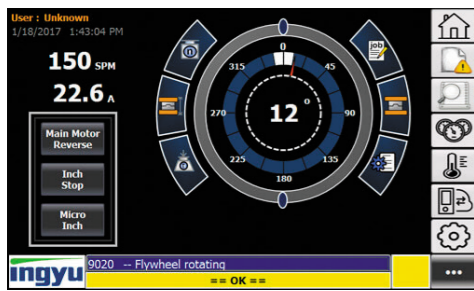
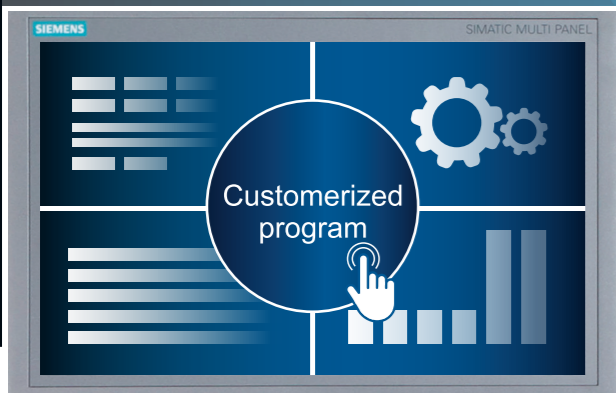
High-speed servo feeder

The Siemens control system is used to integrate the press and servo feeder, which can automatically adjust the feeding angle, feeding length, and reduce setting time.

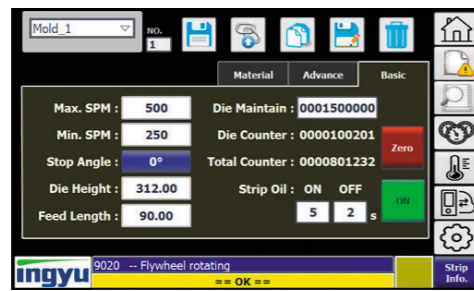


Siemens Control System

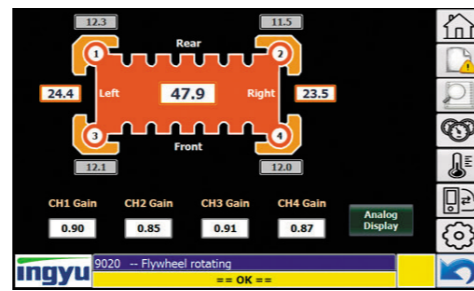
100 sets of die parameter memory, including production time, shut height, production speed and detection settings, saving a lot setting time. The operating interface has built-in manuals and troubleshooting to help operators shorten learning time and solve problems quickly.



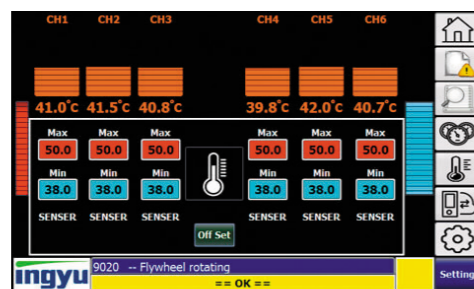
Main Page



Die Information



Tonnage Monitor



Crank Temperature Monitor



Maintenance



Alarm Page

Synchronize Production Information with MES System

INGYU Service

e-mail



Maintain Dept.

Tooling Room



ERP Terminal



Message



MPI

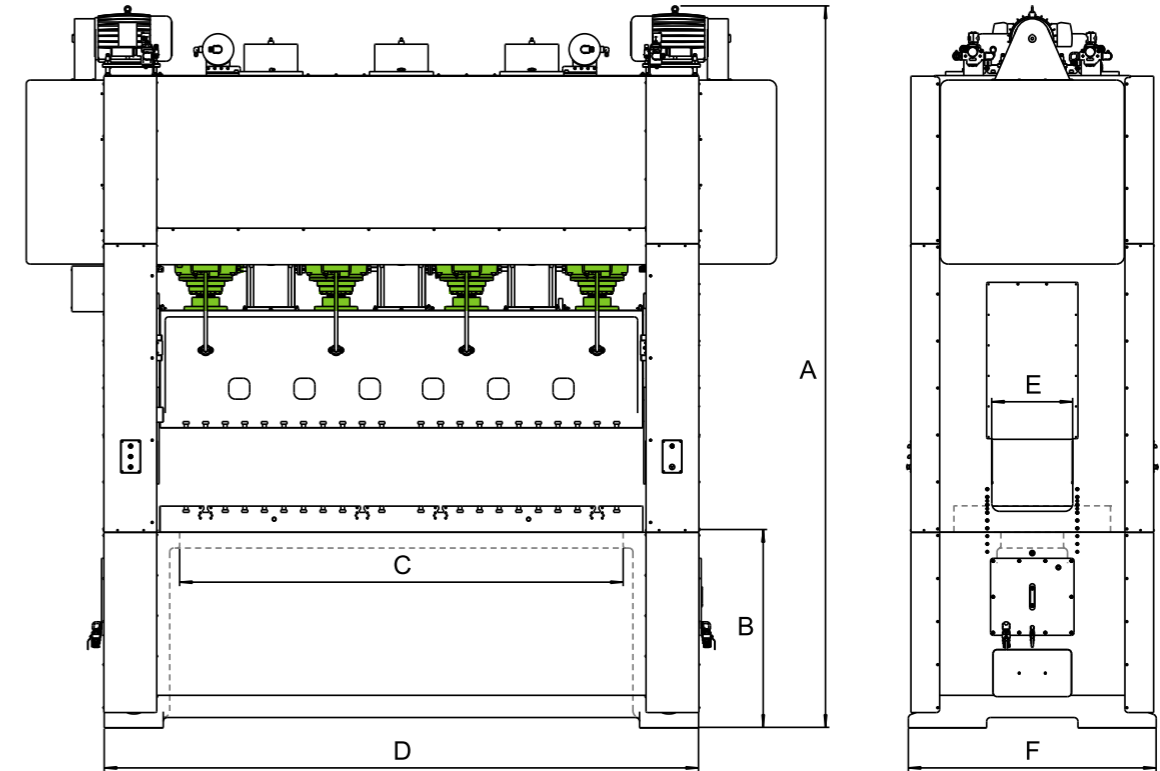
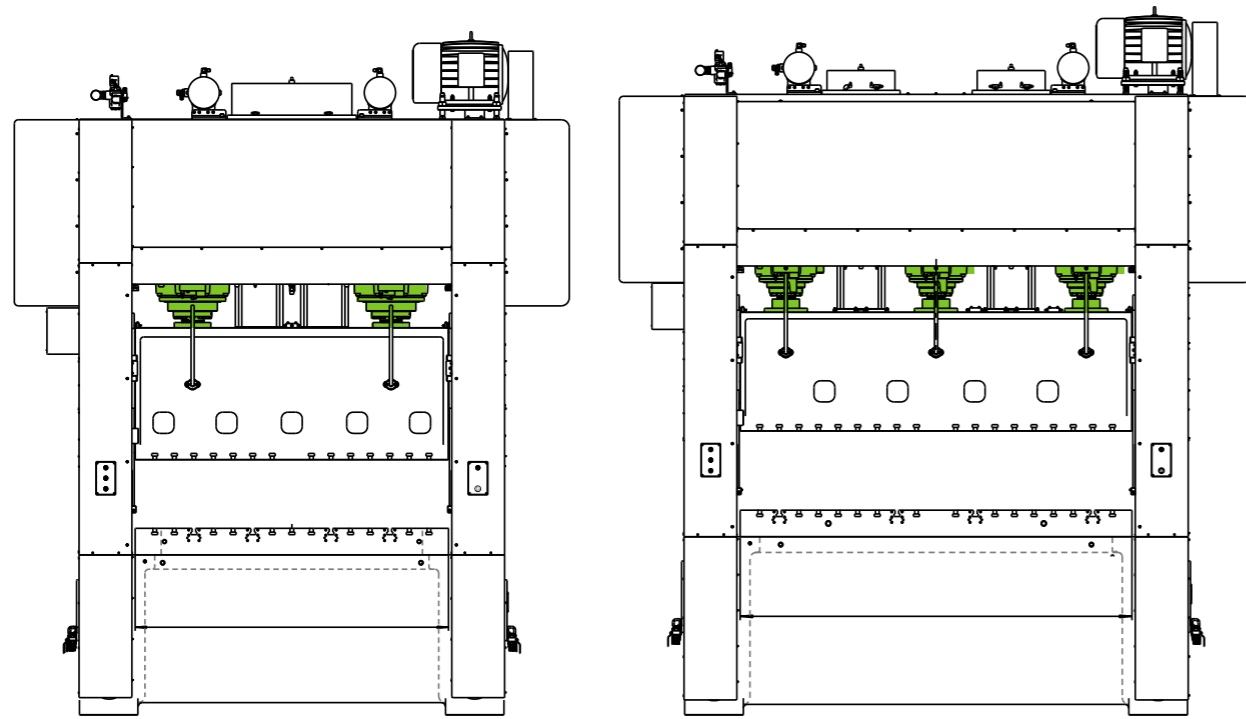


MPI



RS485





Machine Specification

Model		HV200-1800	HV200-2400	HV350-2400	HV350-3000	HV350-3700	HV450-3300
Tonnage Capacity	tons	200	200	350	350	350	450
No. of Points	points	2	3	2	3	4	3
Stroke Length	mm	30	30	30	30	30	30
Stroke Per Minute	spm	200 – 500	150 – 400	150 – 400	150 – 300	150 – 300	150 – 300
Die Height	mm	400 – 450	450 – 500	450 – 500	540 – 600	540 – 600	540 – 600
Bolster Area	mm	1800 x 1050	2400 x 1050	2400 x 1200	3000 x 1200	3700 x 1200	3300 x 1400
Slide Area	mm	1800 x 700	2400 x 700	2400 x 800	3000 x 800	3700 x 800	3300 x 950
Slide Quick Lift	mm	70	70	70	70	70	70
Main Motor	hp	50	50	75	75	40 x 2	50 x 2
Max. Upper Die Weight	kg	800	1050	1200	3000	3500	3500
Dimension of Press							
Height of Press (A)	mm	4450	4650	5160	5360	5530	5780
Height for Operation (B)	mm	1150	1300	1400	1550	1700	1800
Width of Bed Opening (C)	mm	1500	2100	2100	2700	3400	3020
Width of Press (D)	mm	2550	3150	3250	3850	4550	4250
Depth of Press (F)	mm	1700	1700	1900	1900	1900	2200
Side Opening (E)	mm	520	520	600	600	600	750
Weight of Press	tons	40	50	70	80	100	113

These specifications are subject to change without notice.